

brand	McCulloch; Partner
-------	--------------------

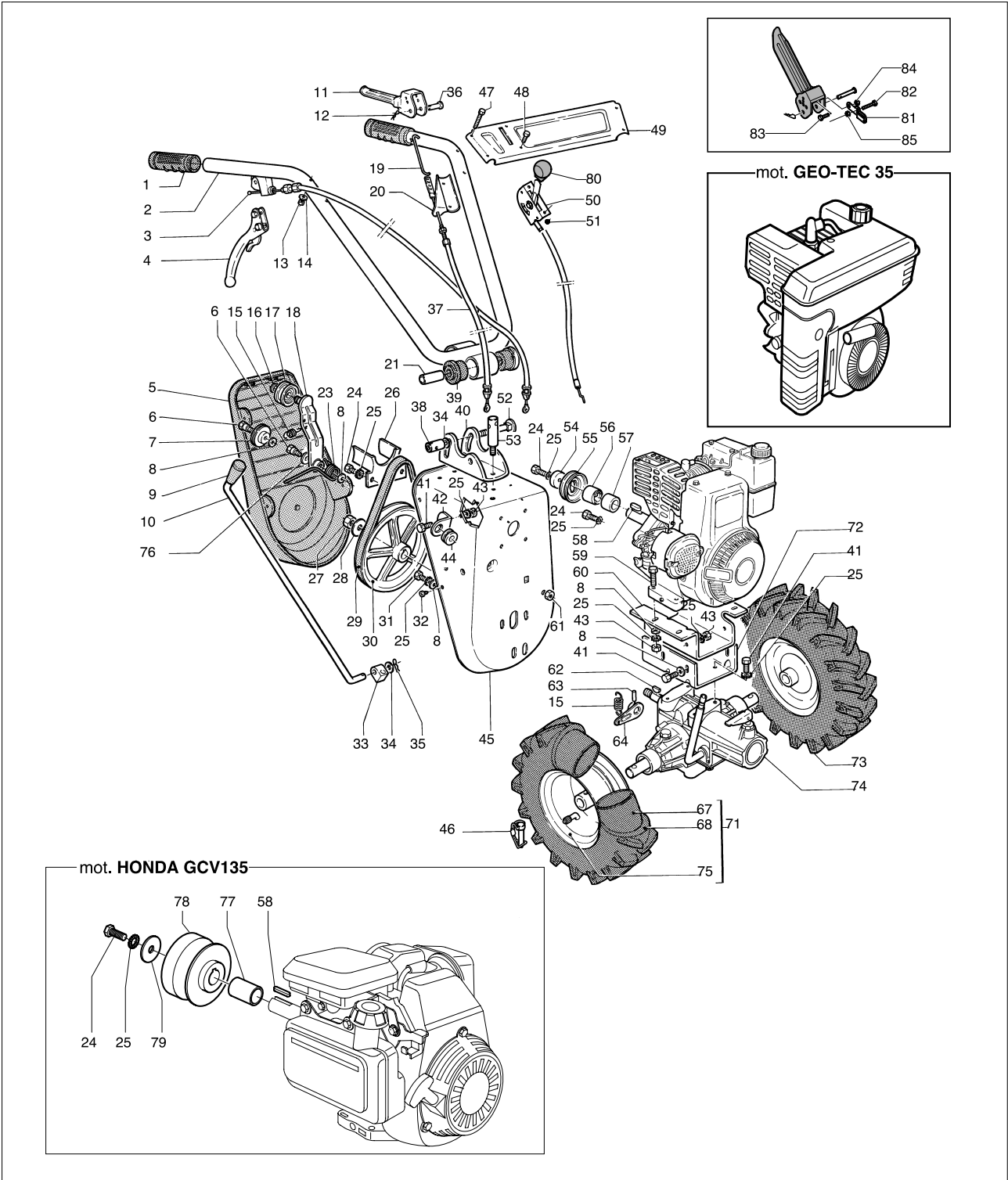
date	JAN/02	SHEET 1/4
------	--------	-----------

Model

MPF 72
SKL3572

Product number

9538783-15
9538781-16



brand	MC CULLOCH - PARTNER
-------	-----------------------------

date	JAN/02	SHEET 2/4
------	--------	-----------

MPF 72	- SKL3572
---------------	------------------

Pos	PN ELX	PN MEP	Q.ty	Note	Pos	PN ELX	PN MEP	Q.ty	Note
1	531207131	10500033	2		50	531204436	09129680	1	
2	531205404	10128521	1		51	531208661	20501380	2	M5 H5 UNI5587-6S ZB
3	531204429	09128490	1		52	531205394	10128400	2	M10x80 TB STQ (QUADRO h.2)
4	531205411	10128580	1		53	531205389	10128310	2	
5	531205393	10128393	1		54	531207487	10661000	1	D.61
6	531207809	10826800	2		55	531207484	10660700	1	D.61
7	531205408	10128543	1		56	531207485	10660800	1	D.61
8	531204922	10114200	13	8x16x1,5 ZB	57	531207486	10660900	1	D.61 H 23,8
9	531205395	10128423	1		58	531207432	10654500	1	4,75x4,75x23 UNI 92
10	531205398	10128450	1		59	531205196	10121700	4	TE M8x35 UNI5739-8,8-ZB
11	531205422	10128683	1		60	531205439	10129043	1	
12	531207408	10651300	1	1.1x17	61	531208599	20404900	1	M8 H10 UNI7473-ZB
13	531208491	20281800	4	M6 H8 UNI7473-ZB	62	531208069	20122960	1	5x6,5
14	531204961	10115900	2	6,5E	63	531206595	10231600	1	D.5x22
15	531205442	10129060	2		64	531205383	10128150	1	
16	531208772	20655800	1	D.12E DIN 471	67	531208145	20128770	2	
17	531204430	09128633	1		68	531208144	20128763	2	
18	531205399	10128500	1		71	531205426	10128804	1	DX D.350
19	531205448	10129400	1		72	531205441	10129053	1	
20	531208783	20659300	1		73	531205429	10128814	1	SX D.350
21	531205407	10128530	2		74	531204427	09128010	1	
23	531205400	10128510	1		75	531208182	20129354	2	
24	531207430	10654300	5	TE 5/16"UNF x 5/8"(=16mm)	76	531207380	10602400	1	13x24x0,5
25	531207981	20106200	21	D.8E DIN 6798	77	531207504	10672100	1	D.25x19,2x34 H
26	531205388	10128230	1		78	531207453	10657000	1	
27	531205387	10128220	1	M12x1,5 H10 UNI5588-SN	79	531205552	10135380	1	8x30x3ZP
28	531205386	10128210	1	12/36/2,5	80	531206970	10303403	1	
29	531205384	10128170	1	A 32 NEO/NEG/2C	81	531206337	10162820	1	
30	531205385	10128200	1		82	531206346	10162910	1	TE M5x40 UNI5739-45-Z.
31	531208585	20382300	3	TE M8x20 UNI 5739- 8,8-ZB	83	531207838	10830300	1	TE M5x16 UNI5739-8,8-ZB
32	531207841	10830700	4	TCTC D6x19 FIX	84	531208492	20282100	1	M5 H7 UNI7473-ZB
33	531205409	10128553	1		85	531208661	20501380	2	M5 H5 UNI5587-6S ZB
34	531207122	10428900	2	10x21x2					
35	531206653	10281400	1	1,8 x 33	2*	531205401	1012852A	1	metal green
36	531207409	10651400	1		2*	531205402	1012852L	1	green R6029
37	531204435	09129660	1	mm.630/962 T	2*	531205404	10128521	1	yellow
38	531205390	10128320	2		2*	531205405	10128522	1	red
39	531205410	10128573	4		2*	531205406	10128526	1	green R6018
40	531205392	10128380	1		45*	531205413	1012860A	1	metal green
41	531207980	20103800	9	TE M8x16 UNI 5739- 8,8-ZB	45*	531205414	1012860L	1	green R6029
42	531205396	10128430	1		45*	531205416	10128601	1	yellow
43	531207982	20106300	9	M8 H8 UNI 5587-6S ZB	45*	531205417	10128602	1	red
44	531205397	10128443	1		45*	531205418	10128606	1	green R6018
45	531205416	10128601	1		73*	531205427	10128810	1	yellow
46	531205271	10122710	2		73*	531205428	10128812	1	red
47	531207441	10655200	4	TE M6x40 UNI5737-8,8-ZB	73*	531205429	10128814	1	grey
48	531207270	10547300	2	TE M5x12 UNI5739-8,8-ZB	75*	531205424	10128800	2	yellow
49	531207518	10679703	1		75*	531205425	10128802	2	red
					75*	531205426	10128804	2	grey

brand	MC CULLOCH - PARTNER
-------	-----------------------------

date	JAN/02	SHEET 4/4
------	--------	-----------

MPF 72 - SKL3572

Pos	PN ELX	PN MEP	Q.ty	Note
1	531208153	20128880	1	16/E
2	531208152	20128870	2	6203/2RS D17/40/12
3	531208599	20404900	10	M8 H10 UNI7473-ZB
4	531208141	20128730	1	
5	531210752	20129710	1	
6	531210753	10129720	1	
7	531208171	20129190	1	
8	531208172	20129200	2	M7x16 TC TC
9	531210754	20129730	2	
10	531208585	20382300	4	TE M8x20 UNI5739-8,8-ZB
11	531208586	20385300	4	TE M8x25 UNI5739-8,8-ZB
12	531210755	10129740	8	TE M8X22
13	531210756	20129750	4	
14	531208170	20129180	4	10Mx16 TE
15	531208180	20129330	20	
16	531208165	20129110	1	
17	531209019	30129130	28	
18	531209095	30234700	28	D 5,3x11
19	531208166	20129140	1	
20	531208143	20128750	1	
21	531209017	30129090	15	
22	531209101	30243100	30	D 5,3x14
23	531208164	20129100	1	
24	531208480	20244400	1	
25	531208139	20128714	1	
26	531210757	20129760	1	
27	531208140	20128720	4	M8x20 TC TCI
A	531204304	O8129694		
B	531210512	O8129704		HONDA
C	531210513	O9129770		HONDA

brand	MC CULLOCH - PARTNER
-------	-----------------------------

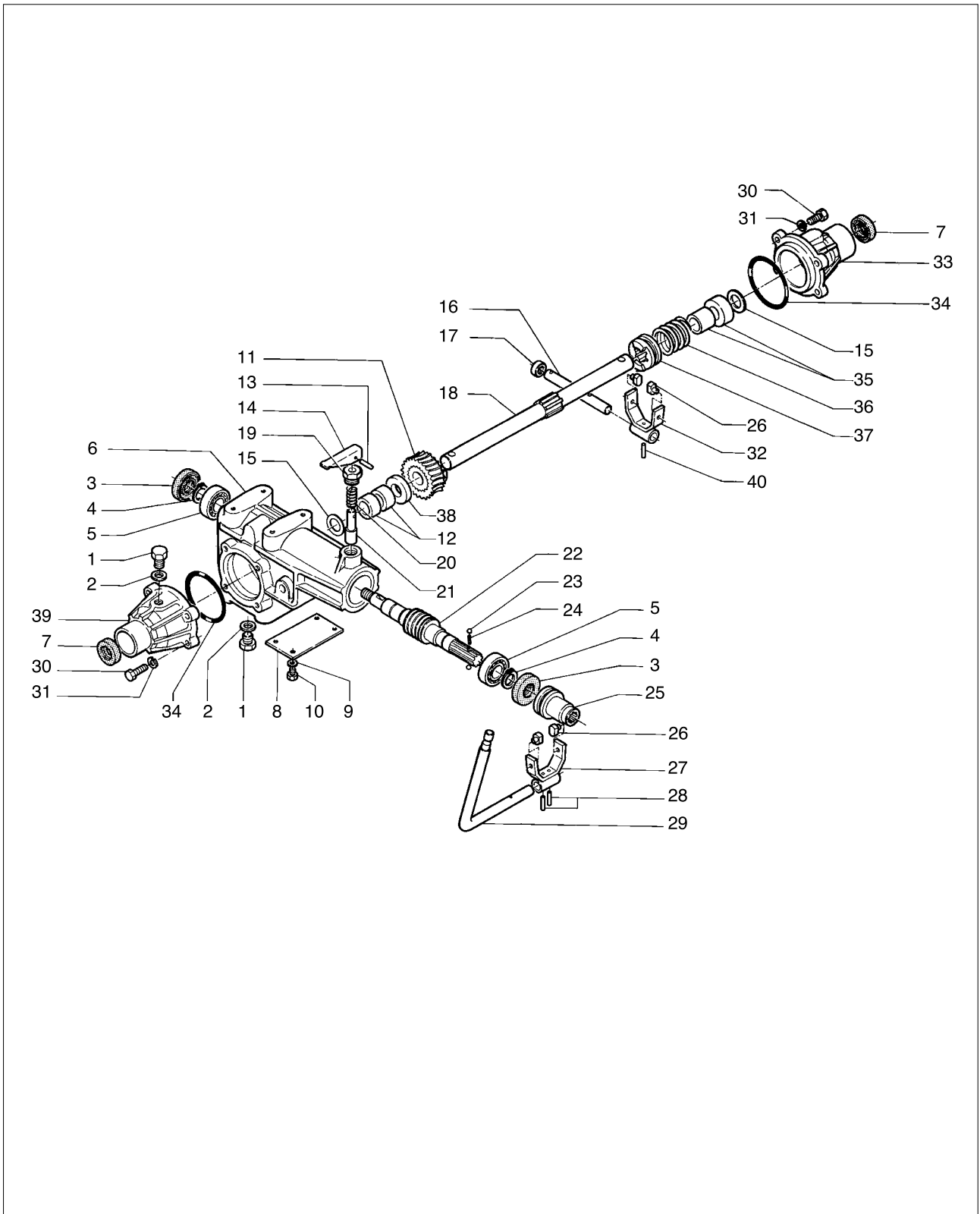
date	NOV/02	SHEET 5/6
------	--------	-----------

Model

MPF 72
SKL3572

Product number

9538783-15
9538781-16



brand	MC CULLOCH - PARTNER
-------	-----------------------------

date	NOV/02	SHEET 6/6
------	--------	-----------

Model

MPF 72
SKL3572

Product number

9538783-15
9538781-16

Pos	PN ELX	PN MEP	Q.ty	DESCRIPTION
1	20228224	531208413	2	PLUG
2	20228225	531208414	2	GASKET
3	20128140	531208105	2	GAS RING
4	10232100	531206599	2	SEEGER Ø42
5	20128160	531208107	2	ROLLER BEARING
6	20128021	531208094	1	REDUCTION GEAR BOX
7	20128110	531208102	2	GAS RING
8	20128340	531208120	1	COVER
9	20286606	531208499	4	WASHER Ø6E
10	10244800	531206630	4	SCREW M6x10
11	20128050	531208097	1	CROWN GEAR
12	20129310	531208178	1	SPACER
13	20128300	531208118	1	RESILIENT PIN
14	20128290	531208117	1	LEVER
15	20122930	531208067	2	WASHER
16	20128180	531208108	1	SHAFT
17	20441200	531208608	1	GAS RING
18	20128060	531208098	1	SHAFT
19	20128190	531208109	1	NUT
20	20128270	531208115	1	SPRING
21	20128280	531208116	1	PIN
22	20128040	531208096	1	SHAFT
23	20128370	531208122	2	BALL
24	20128360	531208121	1	SPRING
25	20128260	531208114	1	JOINT
26	20128090	531208101	4	SLIDER SNOE
27	20128080	531208100	1	FORK
28	20245000	531208484	2	RESILIENT PIN
29	20128250	531208113	1	LEVER
30	20385300	531208586	8	SCREW M8x25
31	10239900	531206617	8	WASHER
32	20128240	531208112	1	FORK
33	20128030	531208095	1	COVER
34	20128410	531208125	2	GAS RING
35	20128130	531208104	1	SPACER
36	20128330	531208119	1	SPRING
37	20128070	531208099	1	CLUTCH
38	20129320	531208179	1	WASHER
39	20129410	531208184	1	COVER
40	20129420	531208185	1	RESILIENT PIN
74	09128010	531204427	1	GEAR REDUCT.UNIT